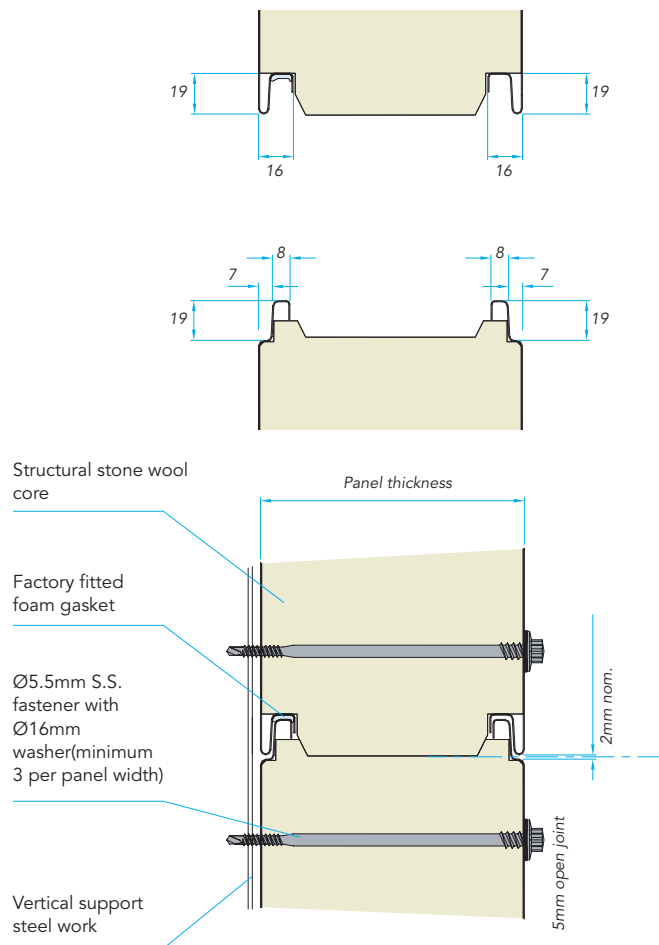


Weights, dimensions and Tolerances

Rockspan

Joint Dimensions



Weights (kg/m ²)		75	100	125	150	175	200
Lite	0.7 / 0.5 mm steel faces	17.43	19.91	22.38	24.86	27.33	N/A*
Extra	0.7 / 0.5 mm steel faces	20.14	23.52	26.88	30.26	33.64	37.01
Lite	0.7 / 0.7 mm steel faces	19.09	21.57	24.04	26.52	28.99	N/A*
Extra	0.7 / 0.7 mm steel faces	21.80	25.18	28.54	31.92	35.30	38.67

*200 mm not available in Lite, only Extra

	Tolerance
Length	± 10mm
Width	± 1mm
Thickness	± 2mm
Corners (leg length)	± 3mm
Flatness	1.5mm from the theoretical flat plane over a distance of 700mm
Joint gap	± 2mm